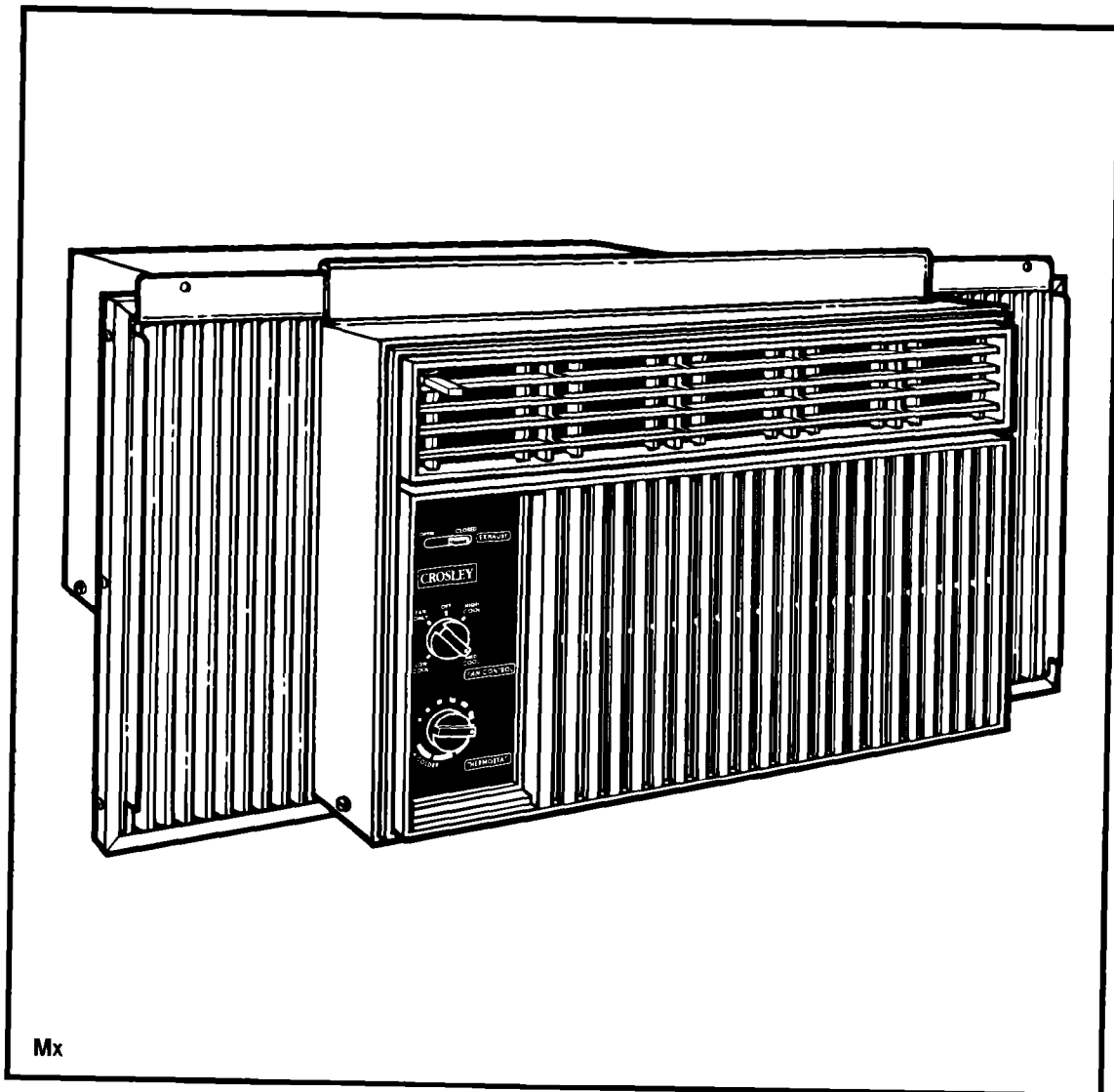


ROOM AIR CONDITIONERS

Use & Care Guide



Contents

	Page
Important Safety Instructions	2
Operating Your Air Conditioner	3
Starting your air conditioner	3
The exhaust control	4
Changing air direction	4
Cleaning Your Air Conditioner	5
Cleaning front panel and filter	5
Caring For Your Air Conditioner	6
Annual maintenance	6
Energy saving tips	7
Troubleshooting	8
Requesting Assistance or Service	9
Warranty	11

Thank you for buying this appliance. Please complete the form below. Have this information ready if you need service or call with a question.

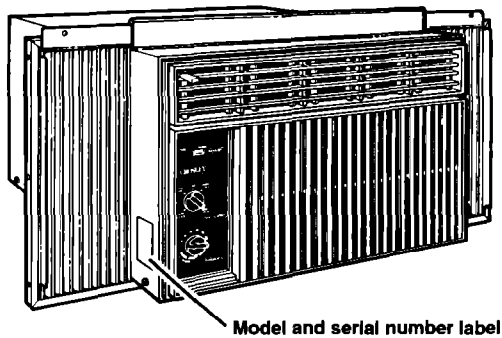
- Copy model and serial numbers from label (see diagram below) and purchase date from sales slip.
- Keep this book and sales slip together in a handy place.

Model Number

Serial Number

Purchase Date

Service Company Phone Number



Important Safety Instructions

⚠ WARNING

To reduce the risk of fire, electrical shock, or personal injury when using your air conditioner, follow these basic precautions:

- Read all instructions before using your air conditioner.
- Complete the installation requirements as described in the Installation Instructions.
- Never allow children to operate or play with the air conditioner.
- Do not operate the air conditioner with the front panel removed.
- Never clean air conditioner parts with flammable fluids. The fumes can create a fire hazard or explosion.

• FOR YOUR SAFETY •

DO NOT STORE OR USE GASOLINE OR OTHER FLAMMABLE VAPOURS AND LIQUIDS IN THE VICINITY OF THIS OR ANY OTHER APPLIANCE. THE FUMES CAN CREATE A FIRE HAZARD OR EXPLOSION.

It is your responsibility to be sure your air conditioner:

- Is installed in a window or wall that will hold the weight, and is secured according to the Installation Instructions.
- Is connected only to the proper kind of outlet, with the correct electrical supply and grounding. (See Installation Instructions.)
- Is the correct size for the area you want to cool.
- Is used only for the job it was designed to do.
- Is not used by children or anyone unable to operate it properly.
- Is properly maintained.

Also, remove Energy Label and Buy Guide. Use a damp cloth to take off any glue residue. Do not use sharp instruments, flammable fluids, or abrasive cleaners. These can damage the material.

– SAVE THESE INSTRUCTIONS –

Operating Your Air Conditioner

IMPORTANT SAFETY INSTRUCTIONS • OPERATING YOUR AIR CONDITIONER


⚠ WARNING



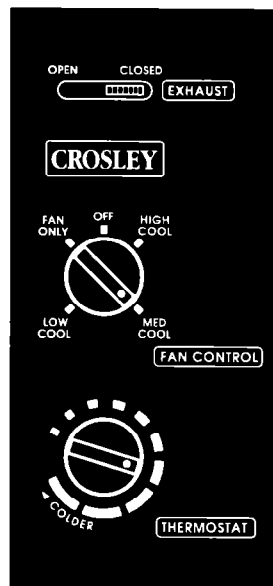
Electrical Shock Hazard
 Plug into a grounded three prong outlet.
 Do not remove ground prong.
 Do not use an adapter.
 Failure to follow these instructions can result in death or electrical shock.

Starting your air conditioner

⚠ WARNING



Fire Hazard
 Do not use an extension cord.
 Doing so can result in death, fire, or electrical shock.



1. Set **Exhaust Control** to **CLOSED** for maximum cooling results.
2. Set **Fan Control** to the desired setting.
LOW COOL for sleeping comfort
MED COOL for normal cooling
HIGH COOL for maximum cooling
FAN ONLY for circulating room air when no cooling is desired
3. Turn the **Thermostat Control** to a mid-setting. You can adjust the air conditioner's cooling performance by resetting the Thermostat Control to a colder setting for maximum cooling. Lower the setting for less cooling. You will need to experiment to find the setting which suits you best.

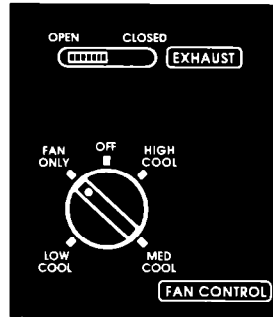
NOTE: If you turn your air conditioner off or if the compressor turns off when lowering the Thermostat Control, wait at least three minutes before turning it back on or you may blow a fuse or trip a circuit breaker.

The exhaust control

The Exhaust Control setting draws stale or smoky air from the room.

1. To exhaust room air:

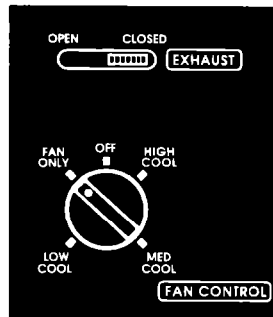
- Set Exhaust Control to OPEN.
- For cooling, set Fan Control to desired COOL setting.
- If no cooling is desired, set Fan Control to FAN ONLY.



2. To circulate room air:

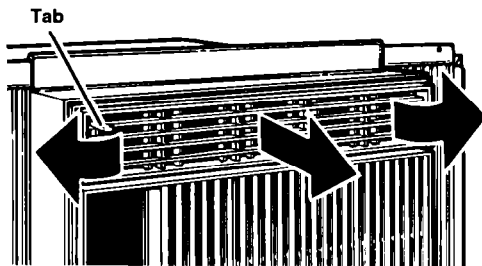
- Set Exhaust Control to CLOSED.
- For cooling, set Fan Control to desired COOL setting.
- If no cooling is desired, set Fan Control to FAN ONLY.

NOTE: For maximum performance, the Exhaust Control must be in the CLOSED position when cooling or room air circulation is desired.



Changing air direction

The louvers, in the top grille area of the air conditioner, control the direction of the cooled air. Move the tab, at the top of the louvered area, in the direction you want the air to go (right, left, or straight ahead).



Cleaning Your Air Conditioner

Proper use and care of your air conditioner will help ensure longer life of the unit and lower operating costs. Follow these instructions carefully. Call your local servicing dealer for an annual checkup.

Cleaning front panel and filter

⚠ WARNING

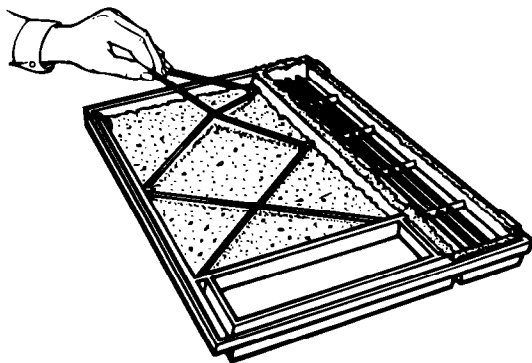
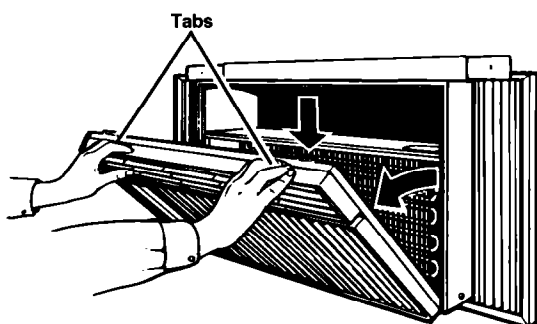


Explosion Hazard

Unplug power cord from outlet before cleaning air conditioner.

Use only nonflammable cleaners.

Failure to follow these instructions can result in death, explosion, fire, or electrical shock.



1. Unplug power cord.
2. Remove the front panel from air conditioner for cleaning. Press down at top of front panel to release it from top of cabinet. Watch out for the sharp metal fins on the coils.
3. Pull top of front panel toward you.
4. Lift up and away from bottom spring clips.
5. Remove filter from front panel by removing elastic band which holds it in place.
6. Clean filter by using a vacuum cleaner or, if very dirty, wash filter with warm water and a mild detergent. Air dry thoroughly before replacing. **Do not use a hot air dryer on filter.**
7. Clean front panel using a soft cloth with warm water and a mild detergent. Rinse and dry.
8. Replace filter and hold it in place with elastic band.
9. Wipe control panel clean with a soft, dry cloth.
10. Replace front panel. Locate bottom of panel on the spring clips. Press down on top edge of front panel and push front toward unit to secure upper tabs.
11. Reconnect power supply.

Caring For Your Air Conditioner

Annual maintenance

⚠ WARNING



Electrical Shock Hazard

Unplug power cord from outlet before servicing.

Be sure no liquid gets into the motor, electrical control box, or compressor terminals.

Failure to follow these instructions can result in death, electrical shock, or serious injury.

⚠ WARNING

Excessive Weight Hazard

Use two or more people to move and install air conditioner.

Failure to do so can result in back or other injury.

Your air conditioner needs annual maintenance to help ensure steady, top performance throughout the year.

Call the service company recommended by your dealer to:

- Inspect and clean the coils and condensate water passages.
- Check fan.

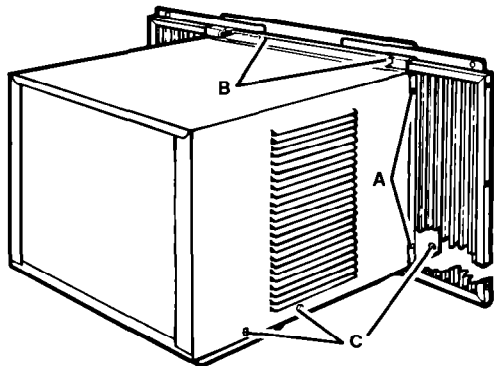
The compressor and fan motor are sealed and need no oiling. The expense of an annual inspection is the customer's responsibility.

OR

If you are familiar with electrical appliances, you can do the cleaning and maintenance yourself. If you choose to do so, follow these steps:

NOTE: Do not lift, push, or pull any white beaded foam (expanded polystyrene) parts.

1. Unplug power cord.
2. Remove the front panel. (See "Cleaning front panel and filter" on page 5.)
3. Remove air conditioner from window.



4. Remove side curtains. Slide curtains out to fullest width. From the back side, remove the phillips-head screws which attach the curtains to the cabinet. (See **A** in illustration at left.)
5. Remove slotted-hex head screws holding top channel. (See **B** in illustration at left.)
6. Remove slotted-hex head screws on sides of cabinet. (See **C** in illustration at left.)
7. Holding the cabinet on both sides, carefully lift cabinet off unit base. Watch out for the sharp metal fins on the front and rear condenser coils.
8. Wrap the motor, electrical control box, and compressor terminal box in plastic film and make sure no water or other liquid gets inside any of these parts. It could damage the insulation and cause serious mechanical problems.
9. Carefully clean and hose out the base, condenser coils, and condensate parts. Clean at least once a year – or more often if the condenser coil and pan collects dirt, sand, leaves, insects, or algae. Also, clean if you detect an odor coming from the air conditioner.
10. Remove plastic film from motor and electrical parts.
11. Replace air conditioner in cabinet. Reattach top channel and side curtains.
12. Reinstall air conditioner in window.
13. Replace the front panel.
14. Plug in the power cord.

NOTE: It is a good idea to wait 24 hours before starting the unit again. This allows time for all areas to dry out. The water from rainfall or from normal operation does not harm these components.

Energy saving tips

- Improve home insulation. Seal doors, windows, and close fireplace flue.
- Close blinds or drapes on sunny side of house. Add window awnings.
- Keep air filter clean. Do not block airflow with drapes or furniture.
- Ventilate attic (high temperature levels add to normal cooling load).
- Try not to use heat producing appliances during the hottest part of the day. Turn lights, radios, televisions, and other appliances off when not needed.
- Keep heat registers and cool air returns closed or blocked off so cooled air won't escape.
- Use exhaust venting fans while cooking, doing laundry, and bathing.

Troubleshooting

Before you call for service ...

If you are having an operating problem, check the chart to see what the cause might be before you call for assistance.

PROBLEM	CHECK IF	WHAT TO DO
Unit won't run.	<ul style="list-style-type: none"> • Power cord is plugged into a live circuit with proper voltage. • Fuse has blown or circuit breaker has tripped. Also, check if a time-delay fuse has been used. • Fan Control is set to OFF. • Local power has failed. 	<ul style="list-style-type: none"> • Firmly plug power cord into electrical outlet. Check circuit voltage at fuse/circuit breaker box. • Replace fuse with a time-delay fuse of the correct capacity. Reset circuit breaker. • Set Fan Control to another setting. • Wait for power to be restored.
Unit blows fuses or trips circuit breaker.	<ul style="list-style-type: none"> • Time-delay fuse being used is of correct capacity. • An extension cord is being used. • Cooling circuit was turned off and on again quickly. 	<ul style="list-style-type: none"> • Replace fuse with a time-delay fuse of the correct capacity. • Do not use an extension cord with this or any other appliance. • Wait at least 3 minutes after turning cooling circuit off before trying to restart unit.
Unit turns on and off, or does not cool room.	<ul style="list-style-type: none"> • Filter is dirty. • Inside evaporator coils and outside condenser coils are dirty. • There is excessive heat or moisture in room. • Fan speed is too low. • Thermostat setting is too low. 	<ul style="list-style-type: none"> • Clean filter. (See page 5.) • Clean coils. (See page 6.) • Use exhaust fans to reduce room heat, or set Exhaust Control to CLOSED to reduce moisture. • Set Fan Control to a higher setting. • Set Thermostat Control to a colder setting.

Normal operating sounds ...

When your room air conditioner is **operating normally**, you will hear sounds such as:

- Droplets of water hitting the condenser, causing a "pinging" or "clicking" sound. Water droplets help to cool the condenser.
- Air movement from the fan, especially on high fan speed settings.
- Clicks from the cooling cycle.

Sounds also may be caused by house construction – such as vibration of the unit due to wall construction or unsteady window mounting area.

Requesting Assistance or Service

For service in the U.S.

1. If you need assistance* ...

Call our Consumer Assistance Centre telephone number. Dial toll free from anywhere in the U.S.A.:

1-800-253-1301

and talk with one of our trained consultants. The consultant can instruct you in how to obtain satisfactory operation from your appliance or, if service is necessary, recommend a qualified service company in your area.

2. If you need service* ...

We have a nationwide network of authorized service companies. Our service technicians are trained to fulfill the product warranty and provide after-warranty service, anywhere in the United States. To locate the authorized service company in your area, call our Consumer Assistance Centre telephone number (see Step 1) or look in your telephone directory Yellow Pages under:

APPLIANCES – HOUSEHOLD –
MAJOR – SERVICE & REPAIR

3. If you need replacement parts* ...

To locate replacement parts in your area, refer to Step 2 above or call our Consumer Assistance Centre number in Step 1.

4. If you are not satisfied with how the problem was solved* ...

- Contact the Major Appliance Consumer Action Program (MACAP). MACAP is a group of independent consumer experts that voices consumer views at the highest levels of the major appliance industry.
- Contact MACAP only when the dealer and authorized servicer have failed to resolve your problem.

Major Appliance Consumer Action Program
20 North Wacker Drive
Chicago, IL 60606

- MACAP will in turn inform us of your action.

* When requesting assistance, please provide: model number, serial number, date of purchase, and a complete description of the problem. This information is needed in order to better respond to your request.

Inglis Limited Appliance Service – Consumer Service

Direct service branches:

BRITISH COLUMBIA	Vancouver	Inglis Limited Appliance Service 3627 E. 4th Avenue	604-291-6426 1-800-665-6788
	Victoria	Inglis Limited Appliance Service 3117 Steele Street	604-383-2298 1-800-665-6788
ALBERTA	Calgary	Inglis Limited Appliance Service #15 6025 12th Street S.E.	403-253-9267 1-800-661-1022
	Edmonton	Inglis Limited Appliance Service 16236-116 Avenue	403-453-3900 1-800-661-6291
ONTARIO	Toronto (Mississauga)	Inglis Limited Appliance Service 5945 Ambler Drive	905-624-2800 1-800-807-6777
	Toronto (Markham)	Inglis Limited Appliance Service Unit #1, 110 Torbay Road	905-475-9511 1-800-807-6777
	Ottawa	Inglis Limited Appliance Service 28 Capital Drive	613-225-0510 1-800-267-3456
MANITOBA SASKATCHEWAN	Winnipeg	Inglis Limited Appliance Service 1683 Church Avenue	204-694-5308 1-800-665-1683
QUEBEC	Montreal (Laval)	Inglis Limited Appliance Service 2750, Francis-Hughes	514-382-8110 1-800-361-3032
	Brossard	Inglis Limited Appliance Service 9605 rue F. Ignace	514-397-1840 1-800-361-0950
	Quebec City	Inglis Limited Appliance Service 5275, Blvd. Wilfrid-Hamel, Suite 140	418-871-5251 1-800-463-1523
	Sherbrooke (Rock Forest)	Inglis Limited Appliance Service 3475 Industrial Blvd.	819-564-6565 1-800-567-6966
NOVA SCOTIA	Dartmouth	Inglis Limited Appliance Service 900 Windmill Road	902-468-6634 1-800-565-1598

For service in areas other than those listed, contact your Appliance Dealer.

Warranty

LENGTH OF WARRANTY	WE WILL PAY FOR
FULL ONE-YEAR WARRANTY From Date of Purchase	Replacement parts and repair labour to correct defects in materials or workmanship.
FULL FIVE-YEAR WARRANTY From Date of Purchase	Replacement parts and repair labour to correct defects in materials or workmanship in the sealed refrigeration system. These parts are: 1. Compressor 4. Drier-Strainer 2. Evaporator 5. Connecting Tubing 3. Condenser
WE WILL NOT PAY FOR	
<p>A. Service calls to:</p> <ol style="list-style-type: none"> 1. Correct the installation of your air conditioner. 2. Instruct you how to use your air conditioner. 3. Replace house fuses or correct house wiring. 4. Clean or replace air filter. <p>B. Pickup and delivery. Your air conditioner is designed to be repaired in the home.</p> <p>C. Damage to your air conditioner caused by accident, misuse, fire, flood, acts of God, or use of products not mentioned in this manual.</p> <p>D. The removal and reinstallation of your air conditioner if it is installed in an overhead or other inaccessible location or not installed in accordance with published installation instructions.</p> <p>E. Repairs to parts or systems caused by unauthorized modifications made to the appliance.</p>	

6/94

Service under the full warranties must be provided by an authorized service company. This warranty gives you specific legal rights, and you may also have other rights which vary from state to state or province to province.

Outside the United States or Canada, a different warranty may apply. For details, please contact your authorized dealer.

If you need service, first see the "Troubleshooting" section of this book. After checking "Troubleshooting," additional help can be found by checking the "Requesting Assistance or Service" section, or by calling our Consumer Assistance Centre telephone number, **1-800-253-1301**, from anywhere in the U.S.A. For service in Canada, see "Inglis Limited Appliance Service" on page 10 for the service branch in your area.

REQUESTING ASSISTANCE OR SERVICE • WARRANTY

CLIMATISEURS

Guide d'emploi et d'entretien

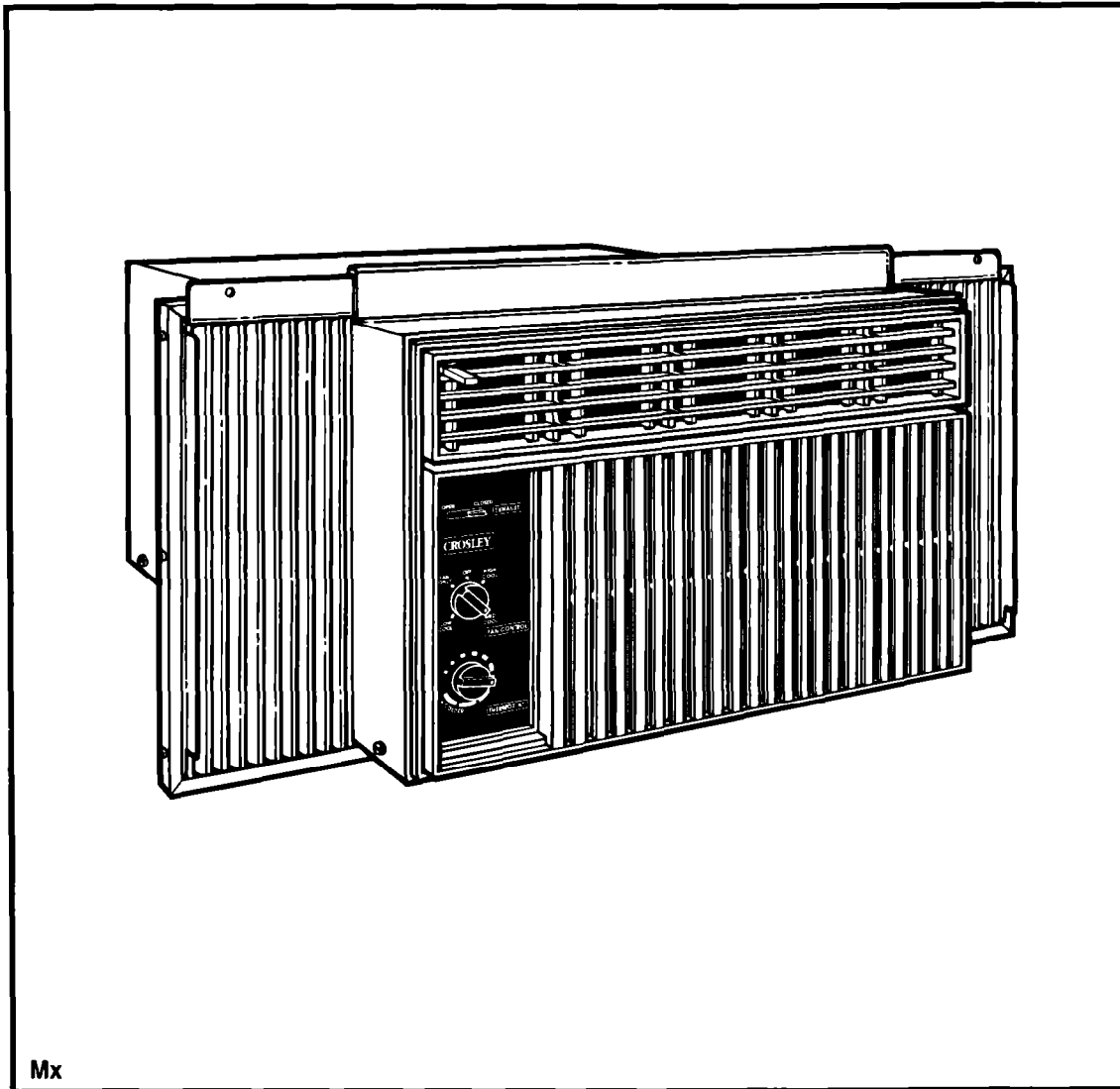


Table des matières

	Page
Importantes consignes de sécurité	2
Mode d'emploi	3
Mise en marche de votre climatiseur	3
La commande de l'échappement	4
Pour changer la direction de l'air	4
Nettoyage de votre climatiseur	5
Nettoyage du panneau avant et du filtre	5
Entretien de votre climatiseur	7
Entretien annuel	7
Conseils pour économiser l'énergie	9
Diagnostic	10
Demande d'assistance ou de service	11
Garantie	13

Nous vous remercions d'avoir acheté cet appareil. Prière de remplir et de retourner la carte d'immatriculation du propriétaire fournie avec cet appareil. Puis veuillez remplir le formulaire ci-dessous. Ayez ces renseignements sous la main si vous avez besoin de service ou désirez poser une question.

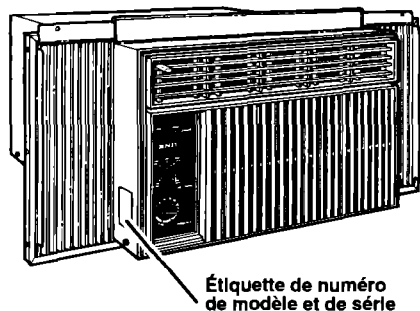
- Copier les numéros de modèle et de série provenant de l'étiquette (voir diagramme ci-dessous) et la date de l'achat qui figure sur la fiche de vente.
- Conserver ce livre et la fiche de vente ensemble dans un endroit d'accès commode.

Numéro de modèle

Numéro de série

Date de l'achat

Numéro de téléphone de l'entreprise de service



Importantes consignes de sécurité

⚠ ADVERTISSEMENT

Pour réduire le risque d'incendie, de choc électrique ou de lésion corporelle lors de l'utilisation de votre climatiseur, suivre ces précautions de base :

- Lire toutes les instructions avant d'utiliser votre climatiseur.
- Faire l'installation selon les instructions décrites dans les consignes d'installation.
- Ne jamais laisser les enfants faire fonctionner ou jouer avec le climatiseur.
- Ne pas faire marcher le climatiseur si le panneau avant est enlevé.
- Ne jamais nettoyer de pièces du climatiseur avec des liquides inflammables. Les vapeurs peuvent créer un danger d'incendie ou une explosion.

• POUR VOTRE SÉCURITÉ •

NE PAS ENTREPOSER ET NE PAS UTILISER D'ESSENCE OU D'AUTRES VAPEURS ET LIQUIDES INFLAMMABLES À PROXIMITÉ DE CET APPAREIL OU D'AUTRES APPAREILS. LES VAPEURS PEUVENT CRÉER UN DANGER D'INCENDIE OU UNE EXPLOSION.

Vous êtes responsable de vous assurer que votre climatiseur :

- Est installé dans une fenêtre ou un mur qui supportera le poids et est protégé conformément aux consignes d'installation.
- Est branché seulement à une prise de courant du genre approprié avec l'alimentation électrique qu'il faut et mis à la terre. (Voir consignes d'installation).
- Est de la taille appropriée pour la zone que vous voulez refroidir.
- Est utilisé seulement pour la tâche pour laquelle il a été conçu.
- N'est pas utilisé par quiconque incapable de le faire fonctionner comme il faut.
- Est bien entretenu.

Également, enlever l'étiquette d'énergie et le Guide d'achat. Utiliser un chiffon humide pour enlever tout résidu de colle. Ne pas se servir d'instruments aiguisés, de liquides inflammables ou de produits de nettoyage abrasifs. Ils peuvent endommager les matériaux.

– CONSERVER CES INSTRUCTIONS –

Mode d'emploi

⚠ AVERTISSEMENT



Risque de choc électrique

Brancher l'appareil uniquement sur une prise de courant reliée à la terre.
Ne pas enlever la broche reliée à la terre.
Ne pas utiliser un adaptateur.
Le non-respect de ces instructions peut être la cause d'un accident mortel ou d'un choc électrique.

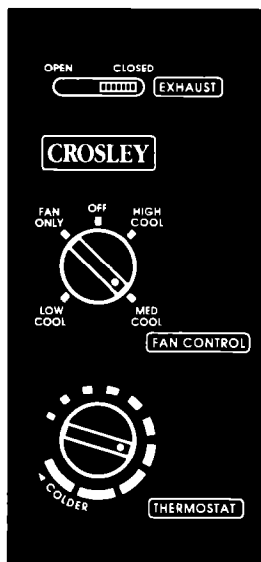
Mise en marche de votre climatiseur

⚠ AVERTISSEMENT



Risque d'incendie

Ne pas utiliser un câble de rallonge.
Le résultat peut être l'accident mortel, l'incendie ou le choc électrique si vous le faites.



1. Mettre la commande d'échappement

sur CLOSED fermé pour obtenir un refroidissement maximum.

2. Mettre la commande du ventilateur sur le réglage désiré.

LOW COOL pour un sommeil (froid faible) confortable

MED COOL pour un froid (froid moyen) normal

HIGH COOL pour un froid (froid fort) maximum

FAN ONLY pour faire circuler l'air de la pièce (ventilateur seulement) lorsqu'on ne désire pas de refroidissement

3. Mettre la commande du thermostat à une réglage moyen. Vous pouvez régler le rendement du froid du climatiseur en réajustant la commande du thermostat à une réglage plus froide pour obtenir le maximum de froid. Abaisser le chiffre du réglage pour obtenir moins de froid. Il vous faudra faire des expériences pour trouver les réglages qui vous conviennent le mieux.

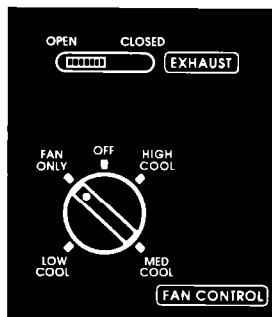
REMARQUE : Si vous arrêtez votre climatiseur ou si le compresseur s'arrête lorsqu'on abaisse la commande du thermostat, attendez trois minutes au moins avant de le remettre en marche ou vous pourriez faire sauter un fusible ou déclencher le coupe-circuit.

La commande de l'échappement

Le réglage de la commande d'échappement tire l'air confiné ou enfumé de la pièce.

1. Pour évacuer l'air de la pièce :

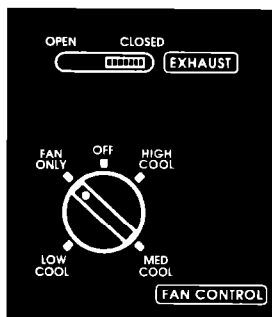
- Mettre la commande de l'échappement sur OPEN (ouvert).
- Pour refroidir, placer la commande du ventilateur sur le réglage COOL (froid) désiré.
- Si l'on ne désire pas de refroidissement, utiliser le réglage FAN ONLY (ventilateur seulement).



2. Pour faire circuler l'air de la pièce :

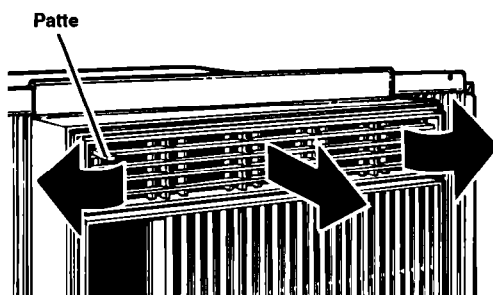
- Mettre la commande d'échappement sur CLOSED (fermé).
- Pour le refroidissement, placer la commande du ventilateur sur la position COOL (froid) désirée.
- Si l'on ne désire pas de refroidissement, utiliser la position FAN ONLY (ventilateur seulement).

REMARQUE : Pour obtenir un rendement maximum, la commande d'échappement doit se trouver en position CLOSED (fermé) lorsqu'on désire refroidir ou faire circuler l'air de la pièce.



Pour changer la direction de l'air

Les volets d'aération de la zone de la grille en haut du climatiseur commandent les directions de l'air climatisé. Déplacer le patte de la grille dans la direction où vous désirez envoyer l'air (à droite, à gauche ou tout droit).



Nettoyage de votre climatiseur

L'emploi et l'entretien appropriés de votre climatiseur contribueront à assurer une plus grande longévité et à abaisser les frais de fonctionnement. Suivre soigneusement ces consignes. Appeler votre concessionnaire local assurant le service pour faire une vérification annuelle.

Nettoyage du panneau avant et du filtre

⚠ AVERTISSEMENT



Risque d'explosion

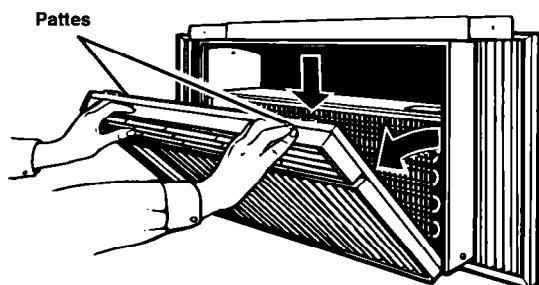
Débrancher le cordon d'alimentation de la prise de courant avant de nettoyer le climatiseur.

Utiliser uniquement des produits de nettoyage non-inflammables.

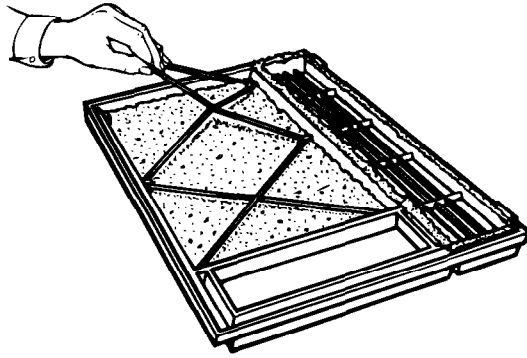
Le non-respect de ces instructions peut être la cause d'un accident mortel, d'une explosion, d'un incendie ou d'un choc électrique.

1. Débrancher le cordon d'alimentation.
2. Enlever le panneau avant de l'appareil pour nettoyer. Appuyer vers le bas en haut du panneau avant pour le dégager de l'avant de l'habillage. Les ailettes métalliques sur les serpentins sont aiguës.
3. Tirer le haut du panneau avant vers vous.
4. Soulever vers le haut et à l'écart des griffes à ressort du bas.

suite à la page suivante



Nettoyage de votre climatiseur Suite



5. Enlever le filtre du panneau avant en enlevant le bracelet élastique qui le maintient en place.
6. Nettoyer le filtre avec un aspirateur ou, s'il est très sale, laver le filtre avec de l'eau chaude et un détergent doux. Sécher à l'air à fond avant de le remettre en place. **Ne pas se servir d'un séchoir à air chaud sur le filtre.**
7. Nettoyer le panneau avant avec un chiffon doux et avec de l'eau chaude et un détergent doux. Rincer et sécher.
8. Remettre le filtre et le maintenir en place avec un bracelet en élastique.
9. Essuyer le tableau de commande avec un chiffon doux sec.
10. Remettre le panneau avant. Placer le bas du panneau sur les pinces à ressort. Appuyer vers le bas sur le bord supérieur du panneau avant et pousser l'avant vers l'appareil pour fixer les pattes supérieures.
11. Rebrancher l'alimentation électrique.

Entretien de votre climatiseur

Entretien annuel

⚠ AVERTISSEMENT



Risque de choc électrique

Débrancher le cordon d'alimentation avant d'effectuer des travaux d'entretien. Veiller à ce qu'aucun liquide ne pénètre ou atteigne le moteur, la boîte de commande électrique ou les connexions du compresseur.

Le non-respect de ces instructions peut être la cause d'un accident mortel, d'un choc électrique ou d'une blessure grave.

⚠ AVERTISSEMENT

Risque du poids excessif

Utiliser deux ou plus de personnes pour déplacer et installer le climatiseur.

Le non-respect de cette instruction peut être la cause d'une blessure au dos ou à l'autre partie du corps.

Votre climatiseur a besoin d'un entretien annuel pour contribuer à assurer un excellent rendement continu pendant toute l'année.

Appeler l'entreprise de service d'entretien recommandée par votre concessionnaire pour :

- Inspecter et nettoyer les serpentins et les passages d'eau de condensat.
- Vérifier le ventilateur.

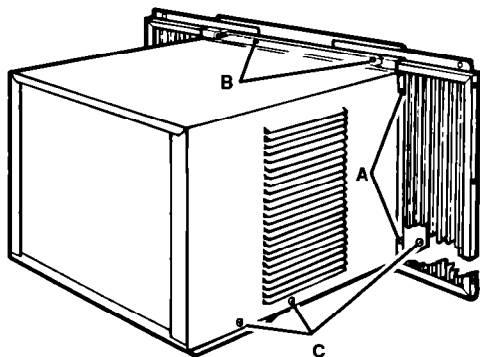
Le compresseur et le moteur du ventilateur sont des unités scellées qui ne nécessitent aucune lubrification. Les frais d'inspection annuelle sont à la charge du client.

OU

Si vous êtes familier avec les appareils électriques, vous pouvez faire le nettoyage et l'entretien vous-même. Si vous décidez de le faire, suivez ces étapes :

suite à la page suivante

Entretien de votre climatiseur Suite



REMARQUE : Ne pas souler, pousser ou tirer les parties en polystyrène expansé blanc.

1. Débrancher le cordon d'alimentation.
2. Enlever le panneau avant. (Voir "Nettoyage du panneau avant et du filtre" à la page 5.)
3. Enlever le climatiseur de la fenêtre.
4. Écarter les rideaux de chaque côté. Les faire glisser pour obtenir la plus grande ouverture possible. Se placer derrière l'appareil pour enlever les vis cruciformes qui attachent les rideaux à l'habillage. (Voir **A** dans l'illustration à gauche.)
5. Enlever les vis à tête hexagonale qui retiennent le rail supérieur. (Voir **B** dans l'illustration à gauche.)
6. Enlever les vis à tête hexagonale sur les côtés de l'habillage. (Voir **C** dans l'illustration à gauche.)
7. En tenant l'habillage de chaque côté, la soulever avec précaution de son assise. Faire attention aux ailettes métalliques aiguës sur les serpentins avant et arrière du condenseur.
8. Envelopper le moteur, le coffret de commande électrique et la boîte à bornes du compresseur dans un film en plastique et s'assurer que de l'eau ou d'autres liquides ne pénètrent pas à l'intérieur d'une quelconque de ces pièces. Cela pourrait endommager l'isolation et causer de graves problèmes mécaniques.
9. Nettoyer soigneusement et laver au jet la base, les serpentins du condenseur et les pièces du condensat. Nettoyer au moins une fois par an, ou plus souvent si le serpentin du condenseur et le bac accumulent de la saleté, du sable, des feuilles, des insectes ou des algues. Nettoyer aussi si vous détectez une odeur provenant du climatiseur.
10. Enlever le film en plastique du moteur et des pièces électriques.
11. Remettre l'appareil dans l'habillage. Remplacer le rail supérieur et les rideaux de chaque côté.
12. Remplacer le climatiseur dans la fenêtre.
13. Remettre le panneau avant.
14. Rebrancher l'alimentation électrique.

REMARQUE : C'est une bonne idée d'attendre 24 heures avant de remettre l'appareil en marche. Ceci donne le temps à toutes les parties de sécher. L'eau de pluie ou provenant du fonctionnement normal n'abîme pas ces composants.

Conseils pour économiser l'énergie

- Améliorer l'isolation de la maison. Sceller les portes, les fenêtres et fermer le tuyau d'évacuation des fumées de la cheminée.
- Fermer les stores ou les doubles rideaux du côté ensoleillé de la maison. Ajouter des stores extérieurs aux fenêtres.
- Tenir le filtre à air propre. Ne pas bloquer la circulation d'air avec des doubles rideaux ou des meubles.
- Ventiler le grenier (des niveaux de haute température accroissent la charge normale de refroidissement).
- Essayer de ne pas utiliser d'appareils générateurs de chaleur pendant la partie la plus chaude de la journée. Éteindre les lumières, les radios, les téléviseurs et autres appareils lorsqu'on en a pas besoin.
- Tenir les bouches de chaleur et les reprises d'air frais fermées ou bloquées de sorte que l'air refroidi ne s'échappe pas.
- Utiliser un ventilateur d'aération dans les zones de cuisine, de buanderie ou de bains pour extraire la chaleur et l'humidité près de leur source.

Diagnostic

Avant de faire appel à l'assistance ...

Les problèmes de rendement résultent souvent de petites choses que vous pouvez trouver et réparer vous-même sans outils d'aucune sorte.

PROBLÈME	VÉRIFIEZ SI	QUE FAIRE
Le climatiseur ne veut pas marcher.	<ul style="list-style-type: none"> • Cordon d'alimentation est-il branché dans un circuit sous tension avec la tension appropriée. • Un fusible a sauté ou le disjoncteur s'est déclenché. Vérifier si un fusible à retardement a été utilisé. • La commande du ventilateur est mise à la position OFF (arrêt). • Il y eu une panne de courant locale. 	<ul style="list-style-type: none"> • Brancher fermement le cordon d'alimentation dans la prise de courant. Vérifier la tension du circuit à la boîte à fusibles/au disjoncteur. • Remplacer le fusible par un fusible à retardement de la capacité appropriée. Rétablir le disjoncteur. • Mettre la commande du ventilateur sur une autre position. • Attendre que le courant soit rétabli.
L'appareil fait sauter des fusibles ou déclenche le coupe-circuit.	<ul style="list-style-type: none"> • Le fusible à retardement utilisé est du bon calibre. • Une rallonge a été utilisée. • Le climatiseur a été arrêté et remis en marche rapidement. 	<ul style="list-style-type: none"> • Remplacer le fusible par un fusible à retardement de la capacité appropriée. • Ne pas utiliser de rallonge électrique pour brancher cet appareil ou n'importe quel autre. • Attendre un minimum de 3 minutes après avoir arrêté le circuit de refroidissement avant de rebrancher le climatiseur.
L'appareil se met en marche et s'arrête, ou ne refroidit pas la pièce.	<ul style="list-style-type: none"> • Le filtre est encrassé. • Les serpentins de à l'intérieur l'évaporateur et du à l'extérieur condensateur sont encrassés. • L'humidité ou la chaleur ambiante est excessive. • La vitesse du ventilateur est trop basse. • Le réglage du thermostat est trop bas. 	<ul style="list-style-type: none"> • Nettoyer le filtre. (Voir page 5.) • Nettoyer les serpentins. (Voir page 7.) • Utiliser le ventilateur d'aspiration afin de diminuer la température ambiante ou mettre la commande d'échappement (sur certains modèles) en position CLOSED (fermé) pour réduire le niveau d'humidité. • Mettre la commande du ventilateur sur une position plus élevée. • Mettre la commande du thermostat sur une une réglage plus froide.

Bruits de fonctionnement normaux ...

Lorsque votre climatiseur **fonctionne normalement**, vous entendrez des bruits tels que :

- Des gouttelettes d'eau frappant le condenseur, produisant un son métallique ou sec. Les gouttelettes d'eau contribuent à refroidir le condenseur.
- Le mouvement d'air du ventilateur, en particulier dans les positions de réglage de grande vitesse du ventilateur.

- Des cliquetis du cycle du thermostat.

Des bruits peuvent également être causés par la construction de la maison – tel que vibration de l'appareil due à la construction du mur ou des zones de montage sur la fenêtre instable.

Demande d'assistance ou de service

Pour service aux É.U.

1. Si vous avez besoin d'assistance* ...

Appelez le numéro de téléphone du Centre d'Assistance aux consommateurs. Composez gratuitement depuis tout point des É.U. :
1-800-253-1301

et parlez à l'un de nos consultants formés. Le consultant peut vous indiquer comment obtenir un fonctionnement satisfaisant de votre appareil ou, si un service est nécessaire, recommander une société de service compétente dans votre région.

2. Si vous avez besoin de service* ...

Nous avons un réseau national de sociétés de service autorisées. Les techniciens de service sont formés pour remplir les conditions de la garantie du produit n'importe où aux États-Unis. Pour trouver la société de service autorisée dans votre région, appeler notre numéro de téléphone du Centre d'Assistance aux consommateurs (voir étape 1) ou consulter les Pages Jaunes de votre annuaire du téléphone à la rubrique :

GROS APPAREILS – ÉLECTROMÉNAGERS –
SERVICE & RÉPARATIONS

3. Si vous avez besoin de pièces de rechange* ...

Pour trouver des pièces de rechange dans votre région, se référer à l'étape 2 ci-dessus ou appelez le numéro du Centre d'Assistance aux Consommateurs indiqué à l'étape 1.

4. Si vous n'êtes pas satisfait de la manière dont le problème a été résolu* ...

- Prendre contact avec le Major Appliance Consumer Action Program (MACAP). MACAP est un groupe de consommateurs experts indépendants qui exprime les vues des consommateurs aux niveaux les plus élevés de l'industrie des gros appareils électroménagers.
- Prendre contact avec MACAP seulement lorsque le concessionnaire ou la maison de service autorisée n'ont pas corrigé votre problème.

Major Appliance Consumer Action Program
20 North Wacker Drive
Chicago, IL 60606

- MACAP à son tour nous informera de votre action.
- * Si vous avez besoin d'assistance, prière de fournir : le numéro de modèle, le numéro de série, la date d'achat et une description complète du problème. Ces renseignements sont nécessaires pour mieux répondre à votre demande.

Inglis Limitée Service d'appareils ménagers – Service aux consommateurs

Succursales de service direct :

COLOMBIE-BRITANNIQUE	Vancouver	Inglis Limitée Service d'appareils ménagers 3627 E. 4th Ave.	604-291-6426 1-800-665-6788
	Victoria	Inglis Limitée Service d'appareils ménagers 3117 Steele Street	604-383-2298 1-800-665-6788
ALBERTA	Calgary	Inglis Limitée Service d'appareils ménagers #15 6025 12th St. S.E.	403-253-9267 1-800-661-1022
	Edmonton	Inglis Limitée Service d'appareils ménagers 16236-116 Ave.	403-453-3900 1-800-661-6291
ONTARIO	Toronto (Mississauga)	Inglis Limitée Service d'appareils ménagers 5945 Ambler Drive	905-624-2800 1-800-807-6777
	Toronto (Markham)	Inglis Limitée Service d'appareils ménagers Unit #1, 110 Torbay Rd.	905-475-9511 1-800-807-6777
	Ottawa	Inglis Limitée Service d'appareils ménagers 28 Capital Drive	613-225-0510 1-800-267-3456
MANITOBA SASKATCHEWAN	Winnipeg	Inglis Limitée Service d'appareils ménagers 1683 Church Avenue	204-694-5308 1-800-665-1683
QUÉBEC	Montréal (Laval)	Inglis Limitée Service d'appareils ménagers 2750 Francis Hughes	514-382-8110 1-800-361-3032
	Brossard	Inglis Limitée Service d'appareils ménagers 9605 rue F, Ignace	514-397-1840 1-800-361-0950
	Québec City	Inglis Limitée Service d'appareils ménagers 5275, boul. Wilfrid Hamel, Bureau 140	418-871-5251 1-800-463-1523
	Sherbrooke (Rock Forest)	Inglis Limitée Service d'appareils ménagers 3475, boul. Industrial	819-564-6565 1-800-567-6966
NOUVELLE-ÉCOSSE	Dartmouth	Inglis Limitée Service d'appareils ménagers 900 Windmill Road	902-468-6634 1-800-565-1598

Pour obtenir des services techniques en dehors des centres mentionnés, veuillez communiquer avec votre marchand d'appareils ménagers.

Garantie

DURÉE DE LA GARANTIE	NOUS SUPPORTERONS LES FRAIS DE
GARANTIE COMPLÈTE D'UN AN À compter de la date de l'achat	Pièces de rechange et la main-d'œuvre de réparation pour corriger les défauts de matériaux ou de main-d'œuvre.
GARANTIE COMPLÈTE DE CINQ ANS À compter de la date de l'achat	Pièces de rechange et la main-d'œuvre de réparation pour corriger les défauts de matériaux ou de main-d'œuvre dans le système scellé de réfrigération. Ces pièces sont : 1. Compresseur 4. Séchoir-tamis 2. Évaporateur 5. Tube de raccord 3. Condenseur
NOUS NE SUPPORTERONS PAS LES FRAIS DE	
<p>A. D'appels de service pour :</p> <ol style="list-style-type: none"> 1. Corriger l'installation du climatiseur. 2. Vous enseigner comment utiliser le climatiseur. 3. Remplacer les fusibles de la maison ou corriger le câblage de la maison. 4. Nettoyer ou remplacer le filtre à air. <p>B. L'enlèvement et la livraison. Ce produit est conçu pour être réparé dans l'habitation.</p> <p>C. Les dommages au climatiseur causés par accident, mauvais emploi, incendie, inondation, cas de force majeure ou utilisation de produits non cités dans ce manuel.</p> <p>D. La dépose et la réinstallation du climatiseur s'il est installé dans un endroit surélevé ou autrement inaccessible ou non posé conformément aux consignes d'installation publiées.</p> <p>E. Réparations de pièces ou systèmes imputables à des modifications non autorisées effectuées sur l'appareil.</p>	

6/94

Le service en vertu des garanties totales doit être fourni par une entreprise de service autorisée. Cette garantie vous donne des droits légaux spécifiques, et il se peut que vous ayez d'autres droits qui varient d'une province à l'autre.

En dehors des États-Unis, une garantie différente peut s'appliquer. Pour de plus amples détails, prière de prendre contact avec votre distributeur autorisé.

Si une assistance est nécessaire, consulter d'abord la section "Diagnostic" de cette brochure. Après avoir vérifié la section "Diagnostic," vous pouvez trouver l'aide additionnel en la section "Demande d'assistance ou de service" ou avec un coup de téléphone au centre d'assistance au numéro **1-800-253-1301**, de n'importe où aux États Unis. Pour obtenir les services nécessaires au Canada, consulter la rubrique "Inglis Limitée service d'appareils ménagers" à la page 12 pour trouver l'adresse de la succursale de service régionale.